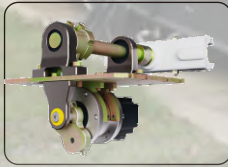
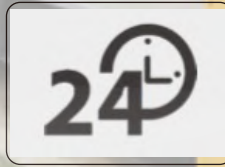


PAB-BD2S-SHSN-03(0.3s) Toll Barrier(Springless)

Dashou[®]
Parking System Expert



**10 Million MCBF
AC Servo Motor**

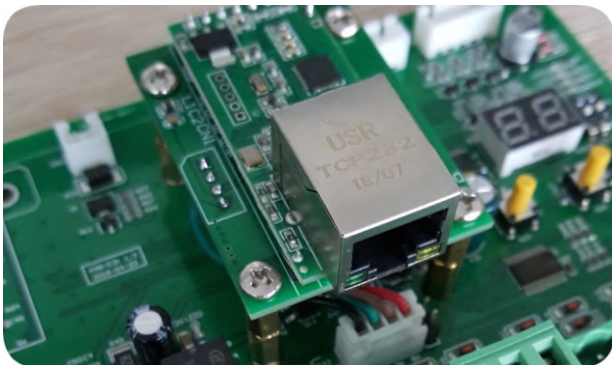


**100% Duty Cycle
7*24 Hrs. Work**



Swing-off & alarm

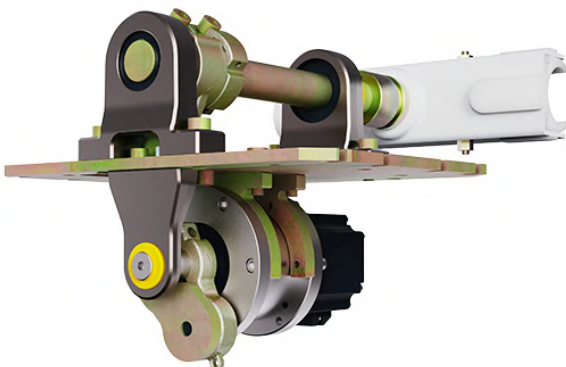
New generation barrier PAB-BD2S-SHSN-03 adopts planetary reducer which has the characteristics of high precision, long life, low noise, large output torque and high efficiency. The 750W AC servo motor has fast speed, large torque, small current and no need for spring balance. Incredible 10 million MCBF and 100% duty cycle makes it continuously work at 7*24 hrs with long life span. Its boom direction is exchangeable. boom type can be changed at site without replacing any parts. Opening/closing time 0.3s for Max. 1.8m boom. It can be controlled and monitored by any third party system via TCP/IP.



TCP/IP Interface for Easy Integration

The barrier provides optional TCP/IP RJ45 port, which can integrate the barrier with your own system conveniently, so you can control and monitor the barrier by your own system.

*Dashou Ethernet module should be installed in barrier controller, and communication protocol will be provided by Dashou



Free-maintenance AC Servo Motor & Planetary Reducer 10 million cycles MCBF & 100% duty cycle

Free-maintenance AC servo motor & planetary reducer ensures 10 million cycles MCBF long life span, high transmission efficiency and high torque bearing capacity etc.; 100% duty cycle makes barrier continuously work at 24*7 hours; Max. 750W super power makes the barrier outputs super strong torque with high stability.

Automatically Check Status and Report Error

Barrier system will automatically check its operation status and show errors code on its LED tube if an error occurred. This helps you quickly find out problem and find solution. 100,000-line encoder signal transmission feedback control, high-speed computing speed of milliseconds for easy control



Boom Auto-Reverse On Obstacle

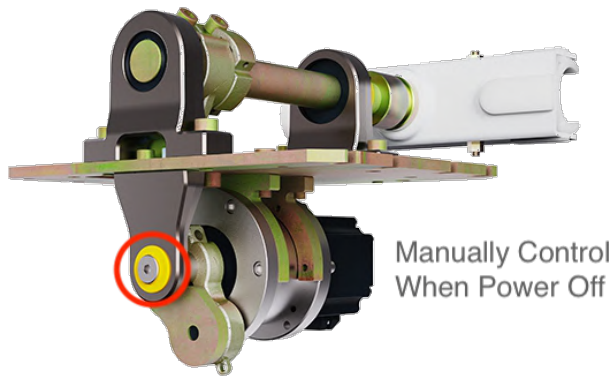
While moving down, boom will automatically reverse immediately once it is obstructed by vehicle or pedestrian, which protects the vehicle or person. The sensitivity is adjustable.



Boom Swing-off Protects Boom and Vehicle

Boom will swing off 90 degree if it was hit by a vehicle, this is to protect both vehicle and boom. It is optional. You can easily add swing-off module to a barrier which is without swing-off.

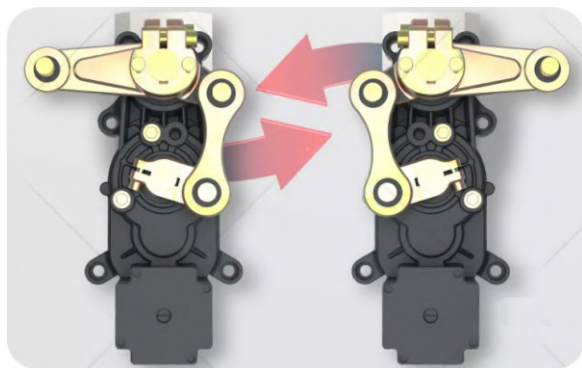




Manually Control In Case of Power Failure

If power supply is off, you can manually open/close the barrier gate by the black lever. Also boom can be manually locked in any position between horizontal and vertical by this level.

Warning: Not allowed to use the function when power on, may hurt your hand and damage the motor.



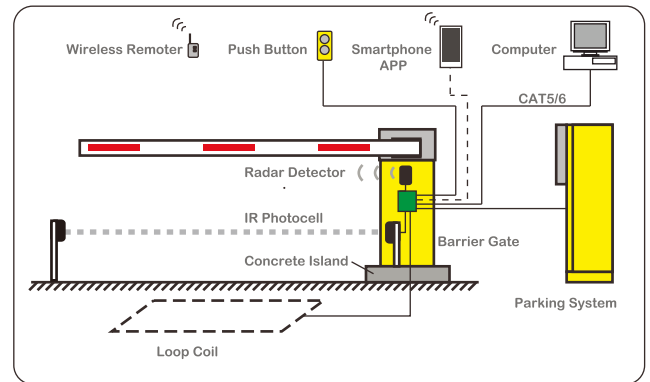
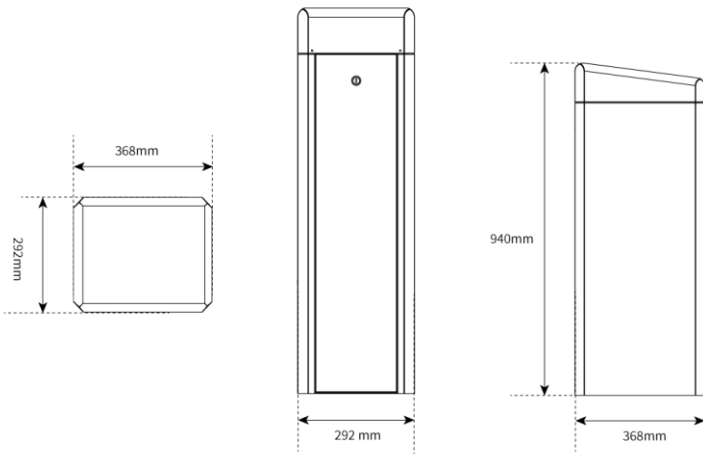
Boom Direction Is Exchangeable Without Replacing Any Parts

In the past you have to keep stock for barriers with different boom direction as different sites may require different boom direction. But now boom arm direction can be exchanged easily at site without replacing any parts

More Features

1. 0.3 sec. speed is adjustable on controller
2. Quite smooth moving with Max. 1.8m boom
3. Different types of boom can be changed without replacing any parts
4. Variable frequency controller automatically detects and optimizes boom moving, ensures smooth moving without shake
5. Barrier decelerates in the end of opening and closing to avoid shaking
6. Simplified design, easy installation and maintenance reduces your labor cost
7. Boom automatically open up fully in case of power failure
8. Mechanical self-locking the boom, can not lift up the boom by hand
9. Alarm when boom swing-off (Optional)
10. Safety for vehicle--- Anti-hit by Loop Detector (Optional)
11. Safety for vehicle & pedestrian— Anti-hit by IR photocell (Optional)
12. Safety for vehicle & pedestrian— Anti-hit by "Opening Priority"
13. Automatically close in given time (Programmable)
14. Automatically close or open by loop detector (Optional)
15. Enable or disable "Always-open mode" on remote (Optional)
16. Count opening & closing times totally, or count opening or closing times only
17. Fire linkage signal input function
18. Loop detector normally open and normally closed function
19. IO port single key cycle up and down function
20. Anti-condensation in cold climate

Dimension (mm) Application



Technical Parameter

Opening/closing time	0.3 Sec. adjustable	Communication Interface	RS-485 & TCP/IP RJ45
Boom	Max. 1.8mtr. carbon fiber round boom	Wireless Remote	Two Remoters, distance>20m
Boom		Housing Material	2mm cold-roller sheet
Boom Direction	Leftward / rightward exchangeable	Housing Painting	Powder coating last 10 years
Power Supply	AC100~240V, 50/60Hz, Max.0.5A	Protection Rating	IP 54
Motor	750W AC servo motor	G.W / N.W	50/48KG
Duty Cycle	100% duty cycle	Package Dimension	1030×380×450mm
MCBF	10 Million Cycles (Mean Cycles Before Failure)	Dimension	940×292×368mm (H*W*D)
Max. frequency	20,000 operation cycles per day	Operating Temperature	-35°C~65°C
Controller	PWM variable frequency servo controller board	Operating Humidity	10% ~ 95%

Accessories

PWM variable frequency servo controller board	Remoter: transmitter, distance>20m	750W AC Servo Motor Planetary Reducer	Auto-open Module in case of power failure	Ethernet Module Make your system control our barrier
Swing-off and alarm	Ground Induction	Loop Detector	Photocell	Carbon fiber round arm